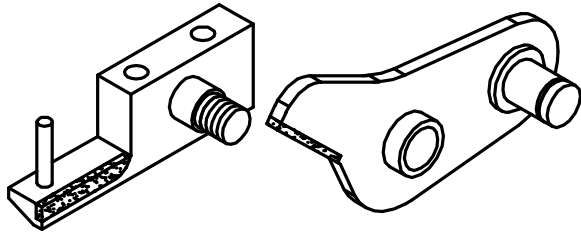


FOR SACM / SAMT RAPIER

3510

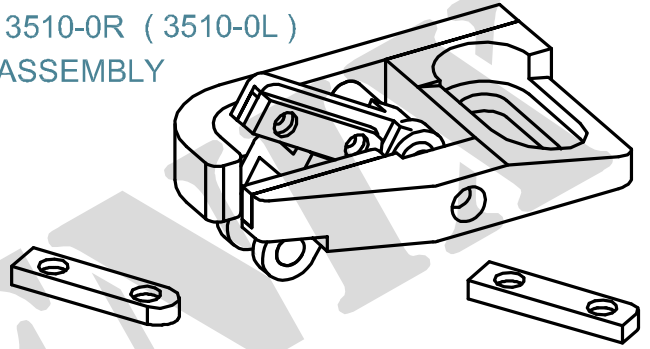
3500 - (TUCK IN SELVEDGE RH & LH)



- 3501 & 2 R
- (3501 & 2 L)

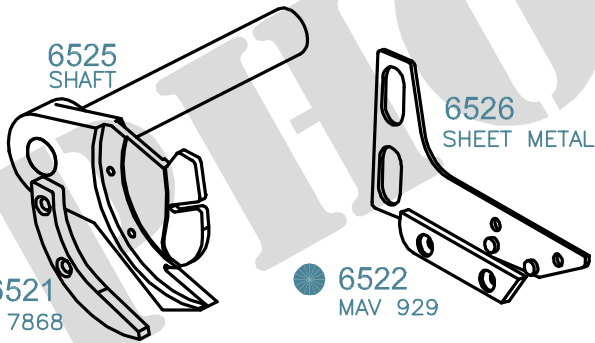
3510 - (SELVEDGE RH & LH)

3510-0R (3510-0L)
ASSEMBLY



- 3531R/L
- 3532R/L

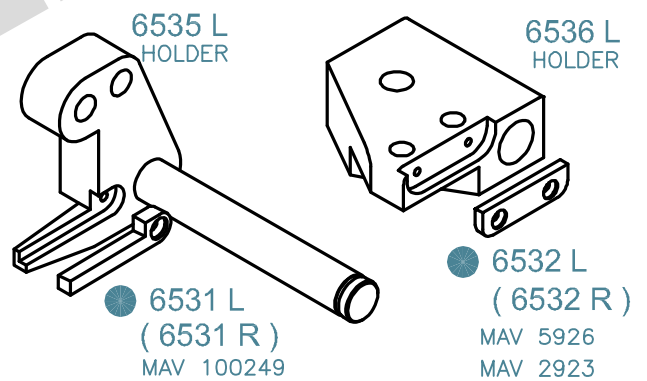
6520 - SAMT / MAV (WEFT)



● 6521
MAV 7868

● 6522
MAV 929

6530 - SAMT MAV (SELVEDGE)

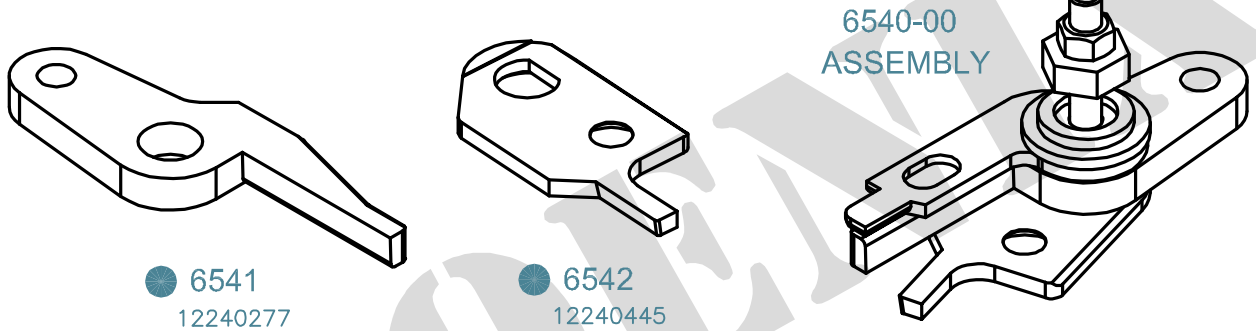


● 6531 L
(6531 R)
MAV 100249

● 6532 L
(6532 R)
MAV 5926
MAV 2923

FOR VEN DE WEILE RAPIER

6540 - VEN DE WEILE



● 6541
12240277

● 6542
12240445

6540-00
ASSEMBLY

6560 - (WEFT & SELVEDGE)



○ 6562

● 6561

● 6563

6550 - (SELVEDGE)



● 6551

● 6552

MATERIAL CODE : ● SOLID CARBIDE , ○ HSS , ● BRAZED CARBIDE , ◎ TiN COATED